



# CATALOG OF REPLACEMENT PARTS



## CONVEYORS

### ROLLTOP TABLE

HRT 1	ML-44090
HRT 2	ML-44091
HRT 3	ML-44092
HRT 4	ML-44098
HRT 5	ML-44188
HRT 6	ML-44190

### GRAVITY ROLLER CONVEYOR

UWS GRVCON	ML-44191
------------	----------

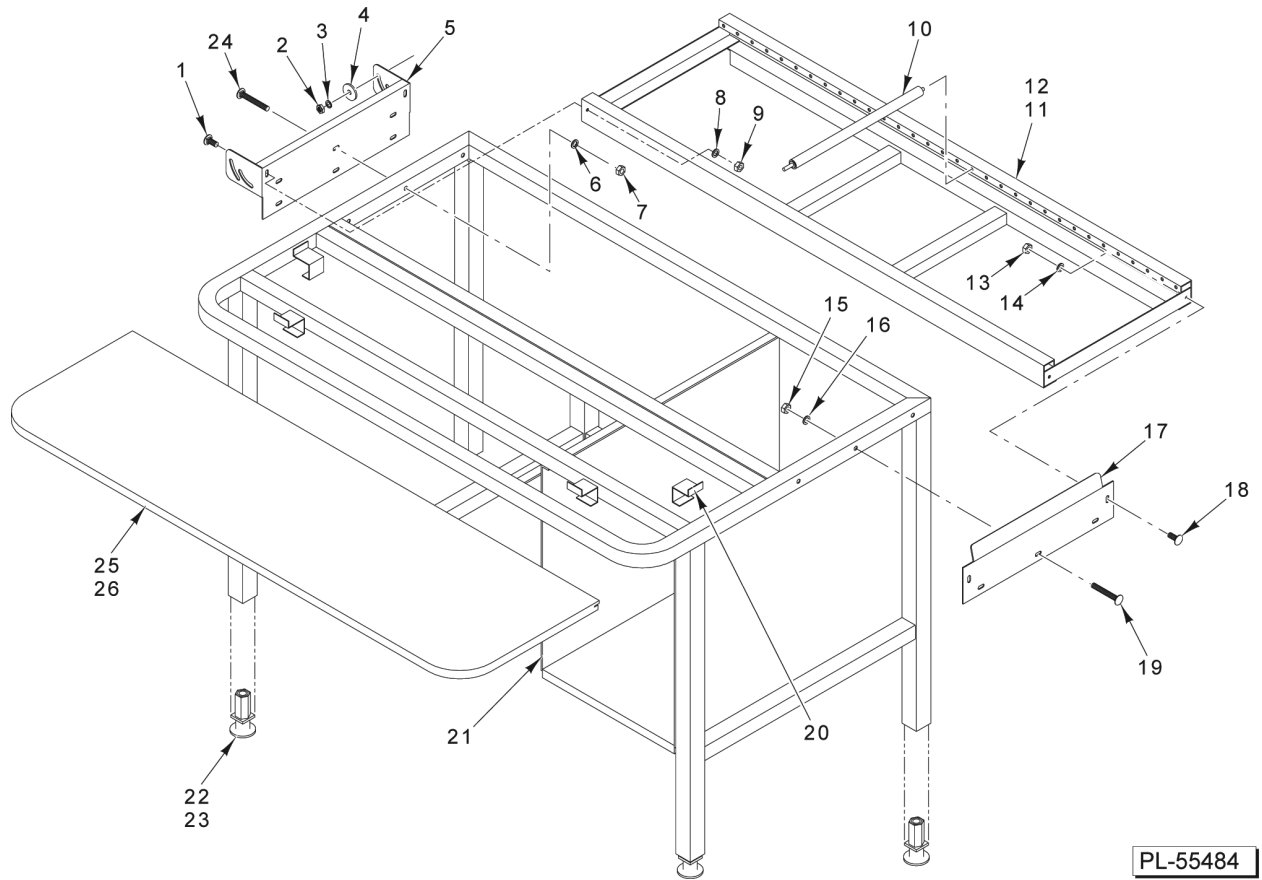
### LABEL RACK ACCESSORY

HRT LD 136
HRT LD 236
HRT LD 248



**Table of Contents**

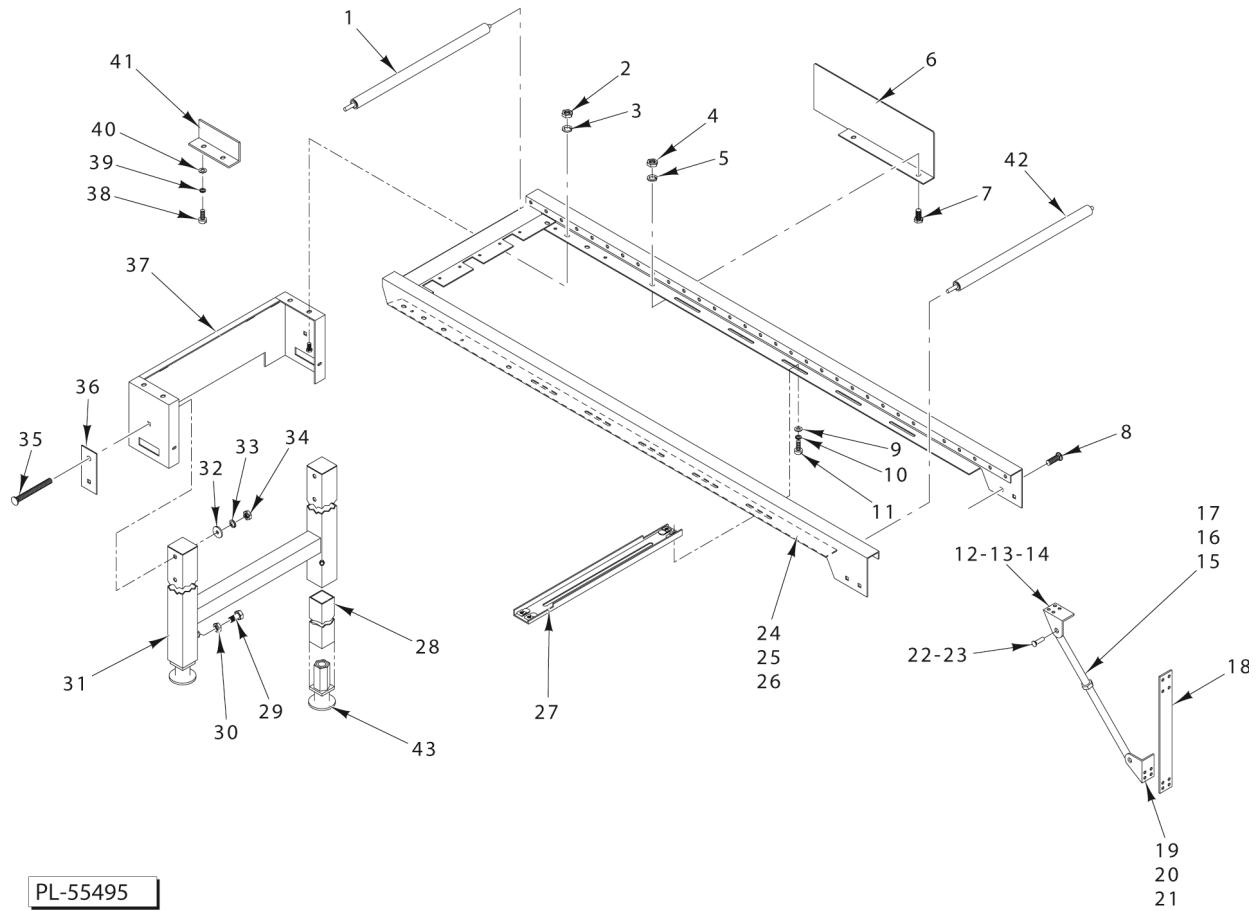
5	PLATTER RECEIVING TABLE
7	CONVEYOR ROLLER TABLE
9	GRAVITY ROLLER CONVEYOR
11	LABEL DISPENSER



**PLATTER RECEIVING TABLE**

**PLATTER RECEIVING TABLE**

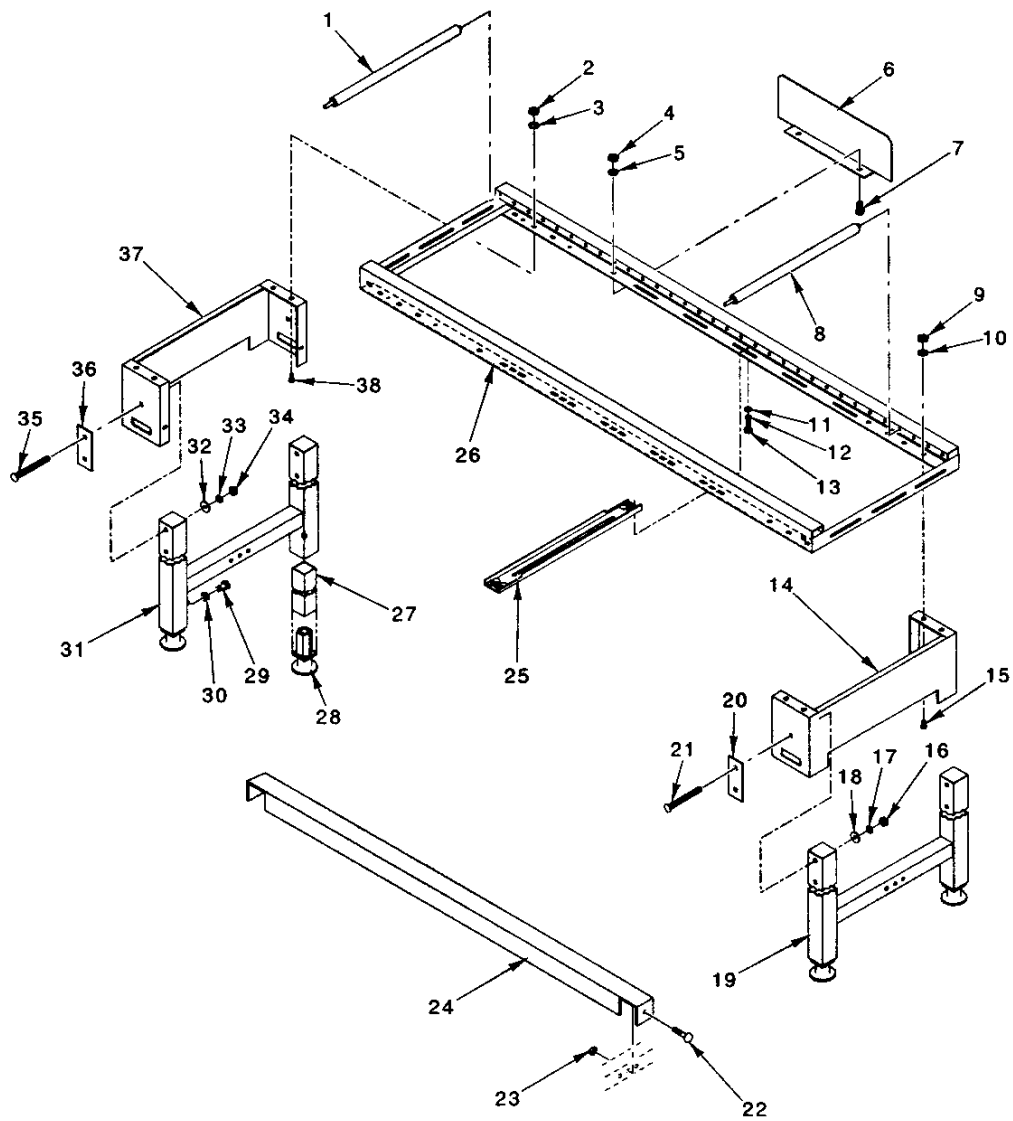
ILLUS. PL-55484	PART NO.	NAME OF PART	AMT.
1	SC-094-26	Bolt - Carriage 1/4-20 x 1/2.....	2
2	NS-015-01	Nut 1/4-20 Hex.....	4
3	WL-006-17	Lockwasher 1/4.....	4
4	WS-030-84	Washer.....	4
6	WL-006-17	Lockwasher 1/4.....	3
7	NS-015-01	Nut 1/4-20 Hex.....	3
8	WL-006-17	Lockwasher 1/4.....	2
9	NS-015-01	Nut 1/4-20 Hex.....	2
10	00-049999	Roller Assy. (Spring Loaded) (HRT3 & HRT6 USE QTY OF 32).....	24
11	00-440658	NLA - Obsolete--Rail Assy. - Conveyor (HRT3 & HRT6 ONLY).....	1
12	00-046339	NLA - Obsolete--Rail Assy. - Conveyor (HRT1,HRT2,HRT4 & HRT5 ONLY).....	1
13	NS-015-01	Nut 1/4-20 Hex.....	2
14	WL-006-17	Lockwasher 1/4.....	2
15	NS-015-01	Nut 1/4-20 Hex.....	3
16	WL-006-17	Lockwasher 1/4.....	3
17	00-044957	Plate - Stop.....	1
18	SC-094-26	Bolt - Carriage 1/4-20 x 1/2.....	2
19	SC-118-60	Bolt - Sq. Neck 1/4-20 x 1 3/4.....	3
20	00-440035	Bracket - Table Clip (HRT5 & HRT6 ONLY).....	4
21	00-046341	Strip - Protection (HRT1,HRT2,HRT3 & HRT4 ONLY).....	1
22	00-048393	Foot - Insert (HRT5 & HRT6 ONLY).....	6
23	00-046342	Leg (Adjustable)(HRT1,HRT2,HRT3 & HRT4 ONLY).....	4
24	SC-118-60	Bolt - Sq. Neck 1/4-20 x 1 3/4.....	3
25	00-440034	Top - Table, Platter, Tray (36").....	1
26	00-440659	Top - Table, Platter, Tray (48").....	AR
	00-252217-1	Hobart Logo (Not Shown)(HRT1,HRT2,HRT3 & HRT4 ONLY).....	1



**CONVEYOR ROLLER TABLE**

**CONVEYOR ROLLER TABLE**

ILLUS. PL-55495	PART NO.	NAME OF PART	AMT.
1	00-440003	Roller Assy. (Teflon Coated) (HRT5 & HRT6 ONLY).....	8
2	NS-015-01	Nut 1/4-20 Hex (HRT5 & HRT6 ONLY).....	4
3	WL-006-17	Lockwasher 1/4 (HRT5 & HRT6 ONLY).....	4
4	NS-015-01	Nut 1/4-20 Hex (HRT5 & HRT6 ONLY).....	2
5	WL-006-17	Lockwasher 1/4 (HRT5 & HRT6 ONLY).....	2
6	00-440033	Plate- Stop Conveyor (HRT5 & HRT6 ONLY) (Includes Items 4,5, & 7).....	1
7	SC-041-50	Cap Screw 1/4-20 x 1/2 Hex (HRT5 & HRT6 ONLY).....	2
8	SC-082-13	Bolt- Sq. Neck 1/4-20 x 5/8 (HRT1 REQ. 6, HRT2,3,4 REQ. 8, HRT5,6 REQ. 4).....	AR
9	WL-004-40	Lockwasher #10 Helical (HRT5 & HRT6 ONLY).....	4
10	WS-019-06	Washer (HRT5 & HRT6 ONLY).....	4
11	SC-093-07	Mach. Screw 10-32 x 5/8 Pan Hd. (HRT5 & HRT6 ONLY).....	4
12	00-044955	Bracket- Pivot (HRT1 REQ. 2 & HRT2,3 REQ. 1).....	AR
13	SC-093-07	Mach. Screw 10-32 x 1/2 (HRT1 REQ. 4 & HRT2,3 REQ. 2).....	AR
14	NS-031-49	Stop Nut 10-32 Special (HRT1 REQ. 4 & HRT2,3 REQ. 2).....	AR
15	00-032977	Tube- Lower Support (HRT1 REQ. 2 & HRT2,3 REQ. 1).....	AR
16	00-032976	Tube- Upper Support (HRT1 REQ. 2 & HRT2,3 REQ. 1).....	AR
17	NS-015-13	Nut 3/8-16 Hex (SST) (HRT1, HRT2, & HRT3 ONLY).....	1
18	00-044956	Bracket- Mounting Support Tube (HRT1 ONLY).....	1
19	00-044955	Bracket- Pivot (HRT1 REQ. 2 & HRT2,3 REQ. 1).....	AR
20	SC-041-05	Cap Screw 1/4-20 x 5/8 (HRT1 REQ. 4 & HRT2,3 REQ. 2).....	AR
21	WL-006-17	Lockwasher 1/4 (HRT1 REQ. 4 & HRT2,3 REQ. 2).....	AR
22	00-044868	Pin- Clevis (HRT1 REQ. 4 & HRT2,3 REQ. 2).....	AR
23	PC-003-78	NLA - Obsolete--Pin- Cotter (HRT1 REQ. 4 & HRT2,3 REQ. 2).....	AR
24	00-032979	Rail Assy. (Conveyor Infeed) (HRT1, HRT2, & HRT3 ONLY).....	1
25	00-046340	Rail Assy. (Conveyor Infeed) (HRT4 ONLY).....	1
26	00-440032	Rail Assy. (Conveyor Infeed)(HRT5 & HRT6 ONLY).....	1
27	00-048359	Cross Member- Dispenser (HRT5 & HRT6 ONLY).....	2
28	00-440042	Tube- Inner Leg (HRT5 & HRT6 ONLY).....	2
29	SC-041-05	Cap Screw 1/4-20 x 5/8 (HRT5 & HRT6 ONLY).....	2
30	NS-015-01	Nut 1/4-20 Hex (HRT5 & HRT6 ONLY).....	2
31	00-048332	Leg Assy. (HRT5 & HRT6 ONLY).....	1
32	WS-030-84	Washer (HRT5 & HRT6 ONLY).....	4
33	WL-006-17	Lockwasher 1/4 (HRT5 & HRT6 ONLY).....	4
34	NS-015-01	Nut 1/4-20 Hex (HRT5 & HRT6 ONLY).....	4
35	SC-124-19	Bolt- Sq. Neck 1/4-20 x 2 1/4 (HRT5 & HRT6 ONLY).....	4
36	00-048340	Plate- Flat (HRT5 & HRT6 ONLY).....	2
37	00-048356	Bracket- Leg Mounting (HRT5 & HRT6 ONLY).....	1
38	SC-093-07	Mach. Screw 10-32 x 1/2 (HRT1, HRT2, & HRT3 ONLY).....	2
39	WL-019-20	Washer (HRT1, HRT2, & HRT3 ONLY).....	2
40	NS-031-49	Stop Nut 10-32 Special (HRT1, HRT2, & HRT3 ONLY).....	2
41	00-044958	Guide- Product (HRT1, HRT2, & HRT3 ONLY).....	1
42	00-049999	Roller Assy. (Spring Loaded) (HRT1,2,3 REQ. 16, HRT4 REQ. 6, HRT5,6 REQ. 24) .....	AR
43	00-048393	Foot - Insert (HRT5 & HRT6 ONLY).....	2



PL-55508

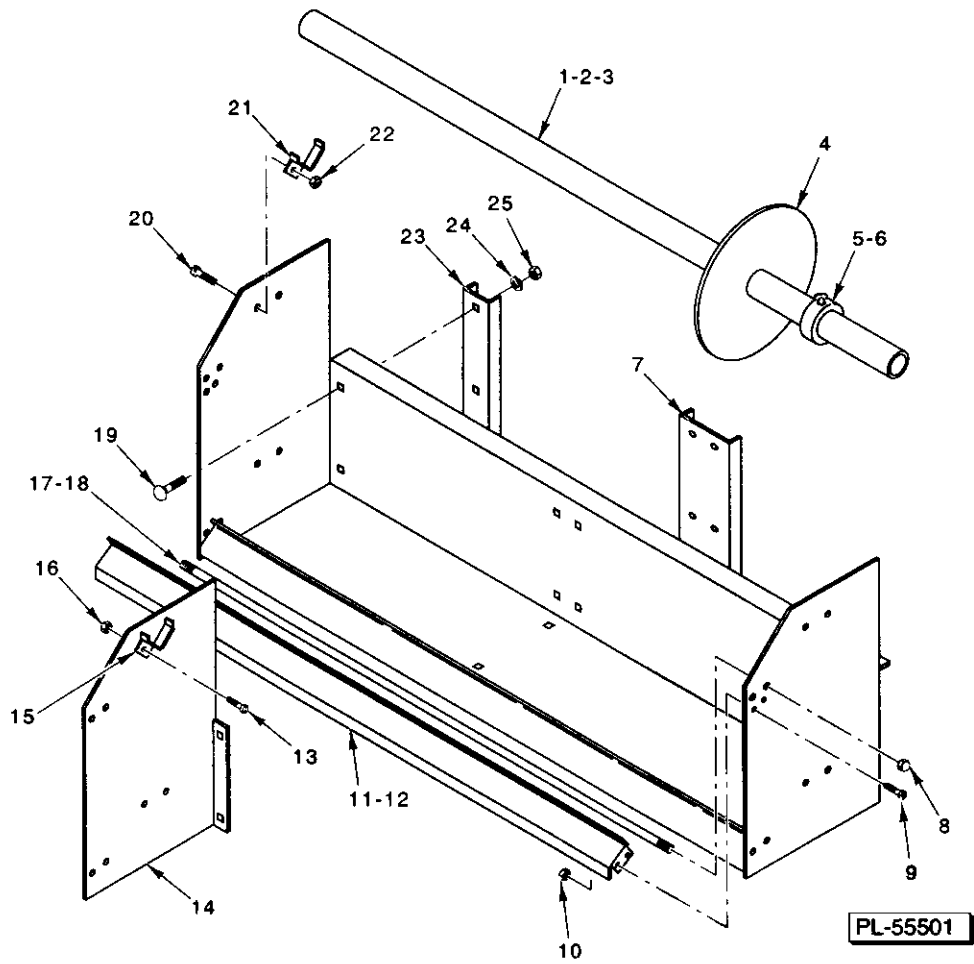
GRAVITY ROLLER CONVEYOR

GRAVITY ROLLER CONVEYOR



## GRAVITY ROLLER CONVEYOR

ILLUS. PL-55508	PART NO.	NAME OF PART	AMT.
1	00-440003	Roller Assy. (Teflon Coated).....	8
2	NS-015-01	Nut 1/4-20 Hex.....	4
3	WL-006-17	Lockwasher 1/4.....	4
4	NS-015-01	Nut 1/4-20 Hex.....	2
5	WL-006-17	Lockwasher 1/4.....	2
6	00-441647	NLA - Obsolete--Plate - Conveyor Stop.....	1
7	SC-041-50	Cap Screw 1/4-20 x 1/2 Hex Hd. (SST).....	2
8	00-049999	Roller Assy. (Spring Loaded).....	22
9	NS-015-01	Nut 1/4-20 Hex.....	4
10	WL-006-17	Lockwasher 1/4.....	4
11	WS-019-06	Washer.....	8
12	WL-004-40	Lockwasher #10 Helical.....	8
13	SC-093-07	Mach. Screw 10-32 x 1/2 Slotted Pan Hd. (SST).....	8
14	00-048356	Bracket - Leg Mounting.....	1
15	SC-041-50	Cap Screw 1/4-20 x 1/2 Hex Hd. (SST).....	4
16	NS-015-01	Nut 1/4-20 Hex.....	4
17	WL-006-17	Lockwasher 1/4.....	4
18	WS-030-84	Washer.....	4
19	00-440001	Leg Assy.....	1
20	00-048340	Plate - Flat.....	2
21	SC-124-19	Bolt - Carriage 1/4-20 x 2 1/4.....	4
22	SC-094-26	Bolt - Carriage 1/4-20 x 1/2.....	2
23	NS-015-01	Nut 1/4-20 Hex.....	2
24	00-441646	Cross Member - Center (Leg).....	1
25	00-048359	Cross Member - Label Dispenser.....	2
26	00-441645	Frame Assy.....	1
27	00-048357	Tube - Inner Leg.....	4
28	00-048393	Foot - Insert.....	4
29	SC-041-05	Cap Screw 1/4-20 x 5/8.....	4
30	NS-015-01	Nut 1/4-20 Hex.....	4
31	00-048332	Leg Assy.....	1
32	WS-030-84	Washer.....	4
33	WL-006-17	Lockwasher 1/4.....	4
34	NS-015-01	Nut 1/4-20 Hex.....	4
35	SC-124-19	Bolt - Carriage 1/4-20 x 2 1/4.....	4
36	00-048340	Plate - Flat.....	2
37	00-048356	Bracket - Leg Mounting.....	1
38	SC-041-50	Cap Screw 1/4-20 x 1/2 Hex Hd. (SST).....	4



**LABEL DISPENSER**

**LABEL DISPENSER**

**LABEL DISPENSER**

ILLUS. PL-55501	PART NO.	NAME OF PART	AMT.
1	00-032988	Tube - Label Dispenser (DUAL 48 IN).....	4
2	00-032995	Tube - Label Dispenser (DUAL 36 IN).....	4
3	00-044867	Tube - Label Dispenser (SINGLE 36 IN).....	1
4	00-184854	Disc - Label Separator (Kit of 40) (SINGLE 36 IN, DUAL 36 IN, DUAL 48 IN).....	1
5	00-032992	Collar - Film Dispenser (SINGLE 36 IN - 2, DUAL 36 IN - 8, DUAL 48 IN - 8).....	AR
6	00-046390	Screw - Thumb 10-32 (SINGLE 36 IN - 2, DUAL 36 IN - 8, DUAL 48 IN - 8).....	AR
7	00-032985	Bracket - Support (DUAL 48 IN).....	1
8	NS-025-04	Nut - Acorn (SINGLE 36 IN - 4, DUAL 36 IN - 8, DUAL 48 IN - 8).....	AR
9	SC-093-03	Mach. Screw 8-32 x 3/8 Pan Hd. (SINGLE 36 IN - 0, DUAL 36 IN - 4, DUAL 48 IN - 4).....	AR
10	NS-031-08	Stop Nut 8-32 Special (SINGLE 36 IN - 0, DUAL 36 IN - 4, DUAL 48 IN - 4).....	AR
11	00-032991	Bracket - Label (DUAL 48 IN).....	1
12	00-032996	Bracket - Label (DUAL 36 IN).....	1
13	SC-093-07	Mach. Screw 10-32 x 1/2 Pan Hd. (SINGLE 36 IN - 0, DUAL 36 IN - 4, DUAL 48 IN - 4).....	AR
14	00-032984	Divider (SINGLE 36 IN - 0, DUAL 36 IN - 1, DUAL 48 IN - 1).....	AR
15	00-032987	Bracket - Tube Support (SINGLE 36 IN - 0, DUAL 36 IN - 4, DUAL 48 IN - 4).....	AR
16	NS-031-49	Stop Nut 10-32 Special (SINGLE 36 IN - 0, DUAL 36 IN - 4, DUAL 48 IN - 4).....	AR
17	00-032990	Shaft - Label Dispenser (DUAL 48 IN).....	4
18	00-032994	Shaft - Label Dispenser (SINGLE 36 IN - 2, DUAL 36 IN - 4).....	AR
19	SC-082-13	Bolt - Sq. Neck 1/4-20 x 5/8 (SINGLE 36 IN - 4, DUAL 36 IN - 8, DUAL 48 IN - 10).....	AR
20	SC-093-21	Mach. Screw 10-32 x 3/8 Pan Hd. (SINGLE 36 IN - 4, DUAL 36 IN - 8, DUAL 48 IN - 8).....	AR
21	00-032987	Bracket - Tube Support (SINGLE 36 IN - 2, DUAL 36 IN - 4, DUAL 48 IN - 4).....	AR
22	NS-031-49	Stop Nut 10-32 Special (SINGLE 36 IN - 4, DUAL 36 IN - 10, DUAL 48 IN - 10).....	AR
23	00-032986	Bracket - Mounting (SINGLE 36 IN, DUAL 36 IN, DUAL 48 IN).....	2
24	WL-006-17	Lockwasher 1/4 (SINGLE 36 IN - 4, DUAL 36 IN - 12, DUAL 48 IN - 16).....	AR
25	NS-015-01	Nut 1/4-20 Hex (SINGLE 36 IN - 4, DUAL 36 IN - 8, DUAL 48 IN - 10).....	AR
	SC-041-05	Cap Screw 1/4-20 x 5/8 (SINGLE 36 IN - 4, DUAL 36 IN - 4, DUAL 48 IN - 6).....	AR

